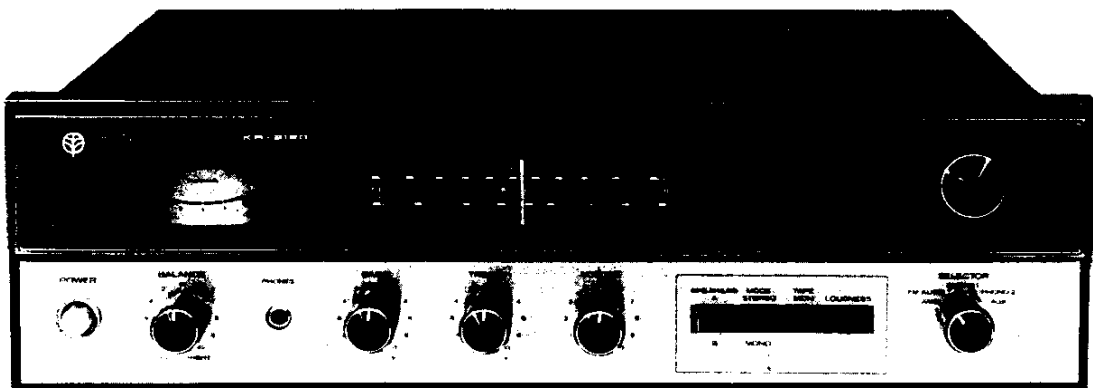


KENWOOD
HI/FI STEREO COMPONENTS

SERVICE MANUAL

FOR SERVICE MANUALS
CONTACT:
MAURITRON TECHNICAL SERVICES
www.mauritron.co.uk
TEL: 01844 - 351694
FAX: 01844 - 352554

KR-2120



SOLID STATE AM-FM STEREO RECEIVER

PARTS DESCRIPTION LIST

MAIN CHASSIS (AF2K) SECTION						
Symbol No.	Description			Part No.	Remarks	
PC BOARD						
—	TUNER (UA5406K)			X05-0006-10		
—	PRE, TONE & MAIN (UA1364J5)			X09-0003-05		
—	POWER SUPPLY			X00-0006-01		
CAPACITOR						
C101, 102	Mylar	0.056 μ F	\pm 20%		CQ92M1H563M	
C301	Oil Impregnated	0.01 μ F	\pm 20%		C90-0036-05	
C302	Electrolytic Tubular	100 μ F	3.15WV		CE04W0F101	
C303, 304	Oil Impregnated	0.01 μ F	\pm 20%		CP02B2J103M	
RESISTOR						
R101	Insulated Carbon Film	5.6k Ω	\pm 10%	1/4W	PD14BY2E562K	
R102	Insulated Carbon Film	5.6k Ω	\pm 10%	1/4W	PD14CY2E562K	
R103	Insulated Carbon Film	6.8k Ω	\pm 10%	1/4W	PD14BY2E682K	
R104	Insulated Carbon Film	10k Ω	\pm 10%	1/4W	PD14CY2E103K	
R105	Insulated Carbon Film	6.8k Ω	\pm 10%	1/4W	PD14CY2E682K	
R106	Insulated Carbon Film	100k Ω	\pm 10%	1/4W	PD14BY2E104K	
R107	Insulated Carbon Film	390k Ω	\pm 10%	1/4W	PD14BY2E394K	
R171	Fixed Carbon Composition	270 Ω	\pm 10%	1/2W	RC05GH2H271K	
R201	Insulated Carbon Film	5.6k Ω	\pm 10%	1/4W	PD14BY2E562K	
R202	Insulated Carbon Film	5.6k Ω	\pm 10%	1/4W	PD14CY2E562K	
R203	Insulated Carbon Film	6.8k Ω	\pm 10%	1/4W	PD14BY2E682K	
R204	Insulated Carbon Film	10k Ω	\pm 10%	1/4W	PD14CY2E103K	
R205	Insulated Carbon Film	6.8k Ω	\pm 10%	1/4W	PD14CY2E682K	
R206	Insulated Carbon Film	100k Ω	\pm 10%	1/4W	PD14BY2E104K	
R207	Insulated Carbon Film	390k Ω	\pm 10%	1/4W	PD14BY2E394K	
R271	Fixed Carbon Composition	270 Ω	\pm 10%	1/2W	RC05GF2H271K	
R301	Fixed Carbon Composition	22 Ω	\pm 10%	1/2W	RC05GF2H220K	
R302	Fixed Carbon Composition	1M Ω	\pm 10%	1/2W	RC05GF2H105K	
R303	Fixed Carbon Composition	1k Ω	\pm 10%	1/2W	RC05GF2H102K	
POTENTIOMETER						
VR1	VOLUME	50k Ω (B)	dual		R06-4005-05	
VR2	BALANCE	100k Ω (W)	slide		R03-5017-05	
VR3	BASS	5k Ω (C)	dual		R08-2003-05	
VR4	TREBLE	5k Ω (C)	dual		R08-2003-05	
SWITCH/DIODE						
S1	SELECTOR (Rotary) F · 4 · 14 · 5				S04-4012-05	
S2	SPEAKERS	(four pushbutton)			S41-4001-05	
S3	MODE	(four pushbutton)			S41-4001-05	
S4	TAPE MONITOR	(four pushbutton)			S41-4001-05	
S5	LOUDNESS	(four pushbutton)			S41-4001-05	
S6	POWER	(pushbutton)			S39-1010-05	
S7	AC VOLTAGE SELECT	(slide)			S31-2004-05	
S8	PRE-MAIN SEPARATE	(slide)			S10-22D	
D1, 2	SW-05S					
MISCELLANEOUS						
—	Case	(K)			A01-0120-02	
—	Cabinet	(U)			A03-0063-02	
—	Chassis				A10-0220-01	

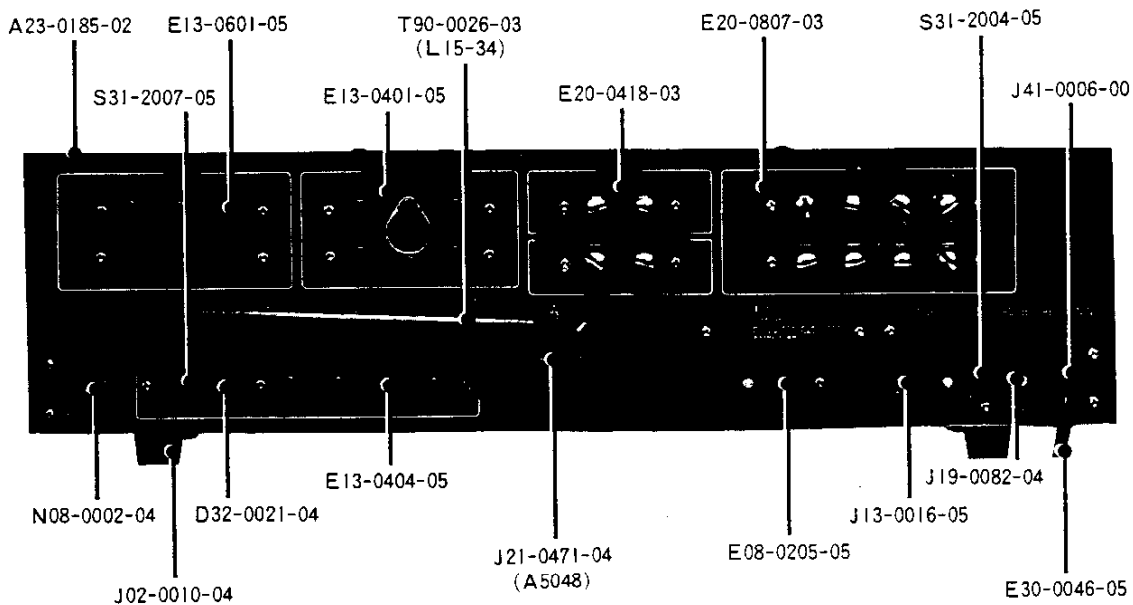
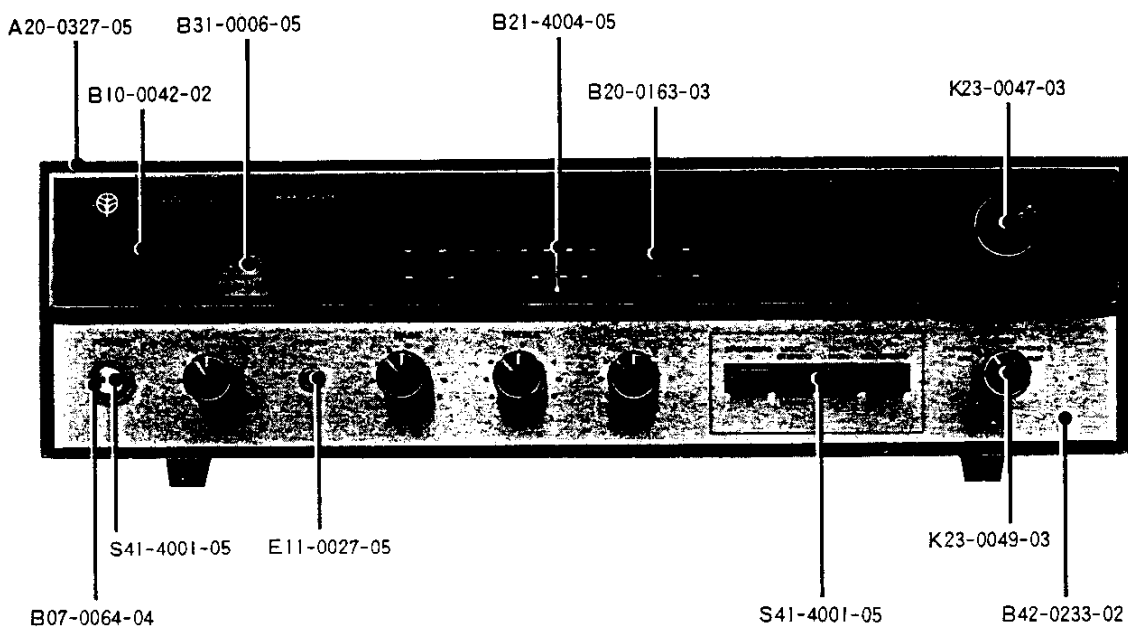
PARTS DESCRIPTION LIST

Symbol No.	Description	Part No.	Remarks
—	Panel	A20-0327-05	
—	Sub-Panel	A22-0084-02	
—	Rear Panel	A23-0185-02	
—	Reflector (A)	A33-0009-03	
—	Sole Plate	A40-0067-03	
—	AMP Holder x 2	A3882	
—	ANT Holder	A5048	
—	METER Holder	A5107B	
—	Holey Plate (U)	B04-0017-14	
—	Ring	B07-0070-04	
—	Sticker	B09-190	
—	Caution Sticker	B09-192	
—	Front Glass	B10-0042-02	
—	Filter	B19-0088-03	
—	Dial	B20-0163-13	
—	Dial Pointer Assembly	B21-4004-15	
P.L	Pilot Lamp (Fuse Type) x 4	B30-0015-15	
P.L	Pilot Lamp (for BEACON)	B30-0026-15	
M	TUNING meter	B31-0006-05	
—	Certification	B42-0009-04	
—	Sticker	B42-0161-04	
—	Caution Sticker	B42-0163-04	
—	Name Plate	B42-0233-02	
—	Warranty Card	B46-0013-00	
—	Warranty Card (U)	B46-0022-00	
—	Instruction Manual (K)	B50-0504-00	
—	Instruction Manual (U)	B50-0506-00	
—	Schematic Diagram	B52-0079-00	
—	Caution Card (Power Supply) (U)	B58-0003-00	
—	Caution Card (Case) (K)	B58-0043-00	
—	Caution Card (Power Supply) (U)	B58-0101-00	
—	Address (U)	B59-0018-00	
—	Flywheel	D01-0008-05	
—	Pulley	D15-0034-05	
—	Dial Shaft	D20-0079-03	
—	Switch Stopper	D32-0021-04	
—	AC Outlet	E08-0205-05	
J	4P Pin Jack with DIN Connector	E13-0401-05	
J	4P Pin Jack	E13-0404-05	
J	6P Pin Jack	E13-0601-05	
—	Pin Plug x 4 (U)	E14-0101-05	
—	ANT Terminal	E20-0418-03	
—	Output Terminal	E20-0807-03	
J	Head Phone Jack	E11-0027-05	
—	Power Cord	E30-0046-05	
F	Fuse (1A)	F05-1023-05	
—	Dial Cover (U)	F07-0101-03	
—	Shield Plate	F10-0051-04	
—	Felt (with Sticker)	F15-0059-04	
—	Blind Plate (for METER)	F19-0048-03	
—	Fuse Holder	F29-0005-04	
—	Slider	F99-0005-04	
—	Dial Spring	G01-0044-04	

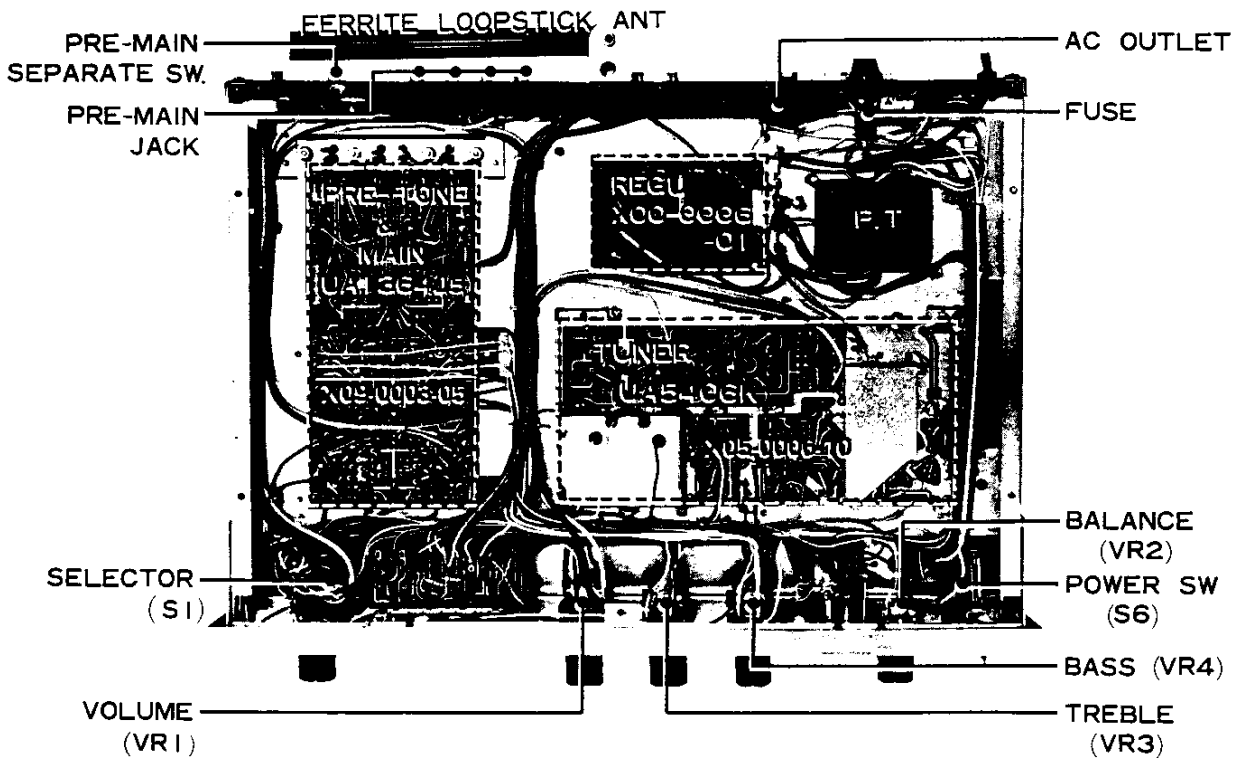
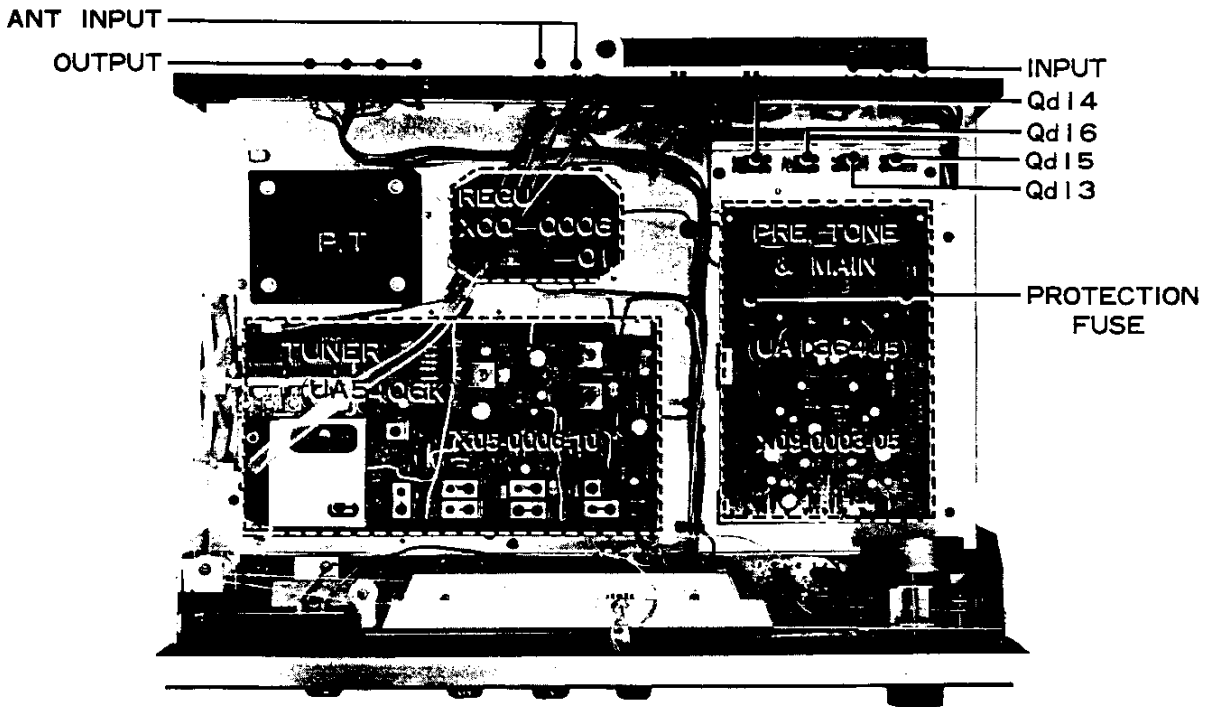
PARTS DESCRIPTION LIST

Symbol No.	Description	Part No.	Remarks
—	Corrugated Cardboard Case	H01-0511-03	
—	Corrugated Cardboard Case (K)	H02-0114-03	
—	Legs x 4	J02-0010-04	
—	Fuse Holder	J13-0016-05	
—	Fuse Holder	J13-0023-05	
—	Front Glass Holder	J19-0062-04	
—	Dial Holder	J19-0064-04	
—	Front Glass Holder	J19-0089-04	
—	Front Glass Holder	J19-0090-04	
—	Front Glass Holder	J19-0091-04	
—	Dial Metal Fittings	J21-0586-04	
—	Meter Holder	J21-0679-03	
—	Switch Holder	J21-0703-04	
—	Knob (TUNING)	K23-0047-03	
—	Knob (BALANCE, BASS, SELECTOR, TREBLE, VOLUME)	K23-0049-03	
P. T.	Power Transformer	L03-0004-15	
—	Decorated Screw x 4 (K)	N08-0003-04	
—	Decorated Screw x 4 (U)	N08-0005-04	
—	FM Antenna	T90-0002-05	
—	AM Antenna	T90-0026-05	
<p><i>In North America leave out the parts of "U".</i></p> <p><i>In other area do out the parts of "K".</i></p>			
<p>FOR SERVICE MANUALS CONTACT: MAURITRON TECHNICAL SERVICES</p> <p>www.mauritron.co.uk TEL: 01844 351694 FAX: 01844 352554</p>			

EXTERNAL VIEW



CHASSIS TOP & BOTTOM VIEW



FOR SERVICE MANUALS
CONTACT:
MAURITRON TECHNICAL SERVICES

www.mauritron.co.uk
TEL: 01844 - 351694
FAX: 01844 - 352554

PROCEDURE FOR REPLACING OUTPUT TRANSISTOR

SYMPTOMS:

- A. When there is load hum at the speakers.
- B. When there is no output at all.
- C. When you cannot get rated output.

REPLACING METHOD:

Replace all the four transistors, 2SC1060.

TESTING PROCEDURES:

Until replacement is completed, do not operate the unit without first testing.

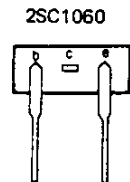
Perform the test according to the following procedures.

1. Using variable transformer, lower the AC line voltage to approximately 30 V.
2. Also measure the voltage between the chassis and Collector of the power transistor Qd15 or Qd16. If a tester indicates approximately 24 V, it is normal.
3. Using a tester, measure the voltage between the chassis and Collector of the power transistor Qd13 or Qd14. If a tester indicates approximately 47 V, it is normal.

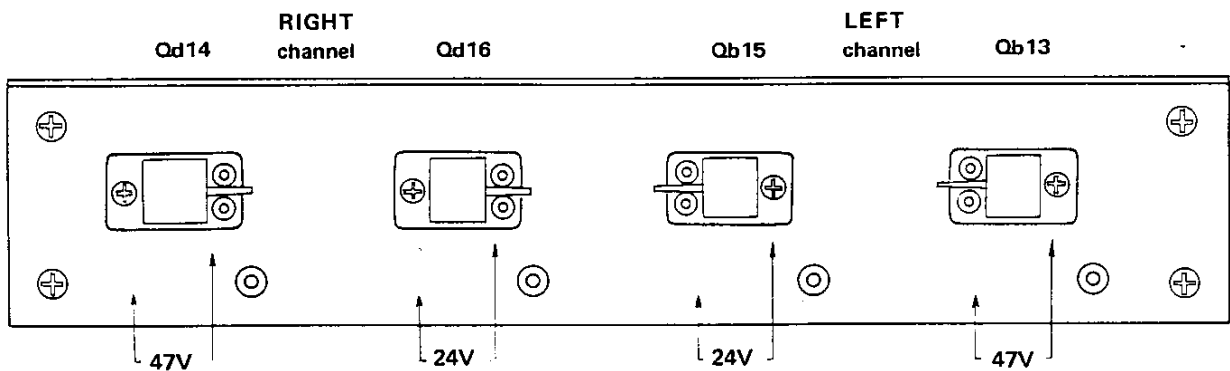
PROTECTION ADJUSTMENT PROCEDURES:

When terminal of speaker is shorted, fuse (1A) in Printed Circuit Board (UA1364J5) is gone. In this case, replace it with new.

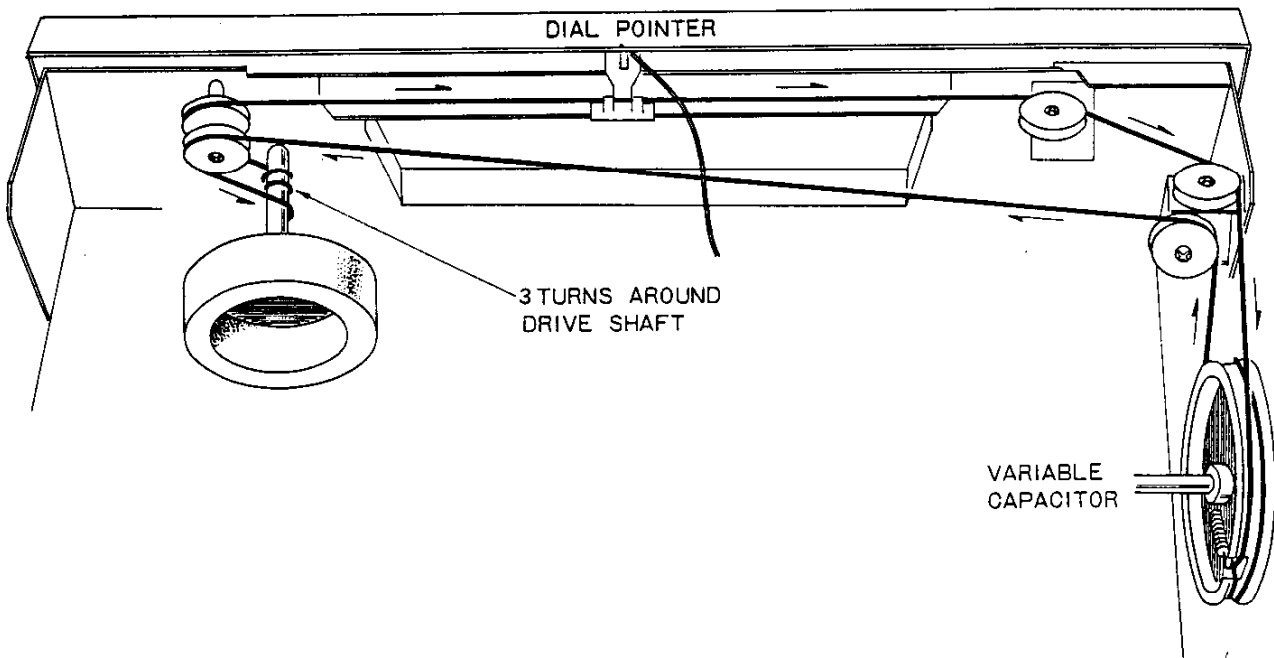
BOTTOM VIEW OF TRANSISTOR



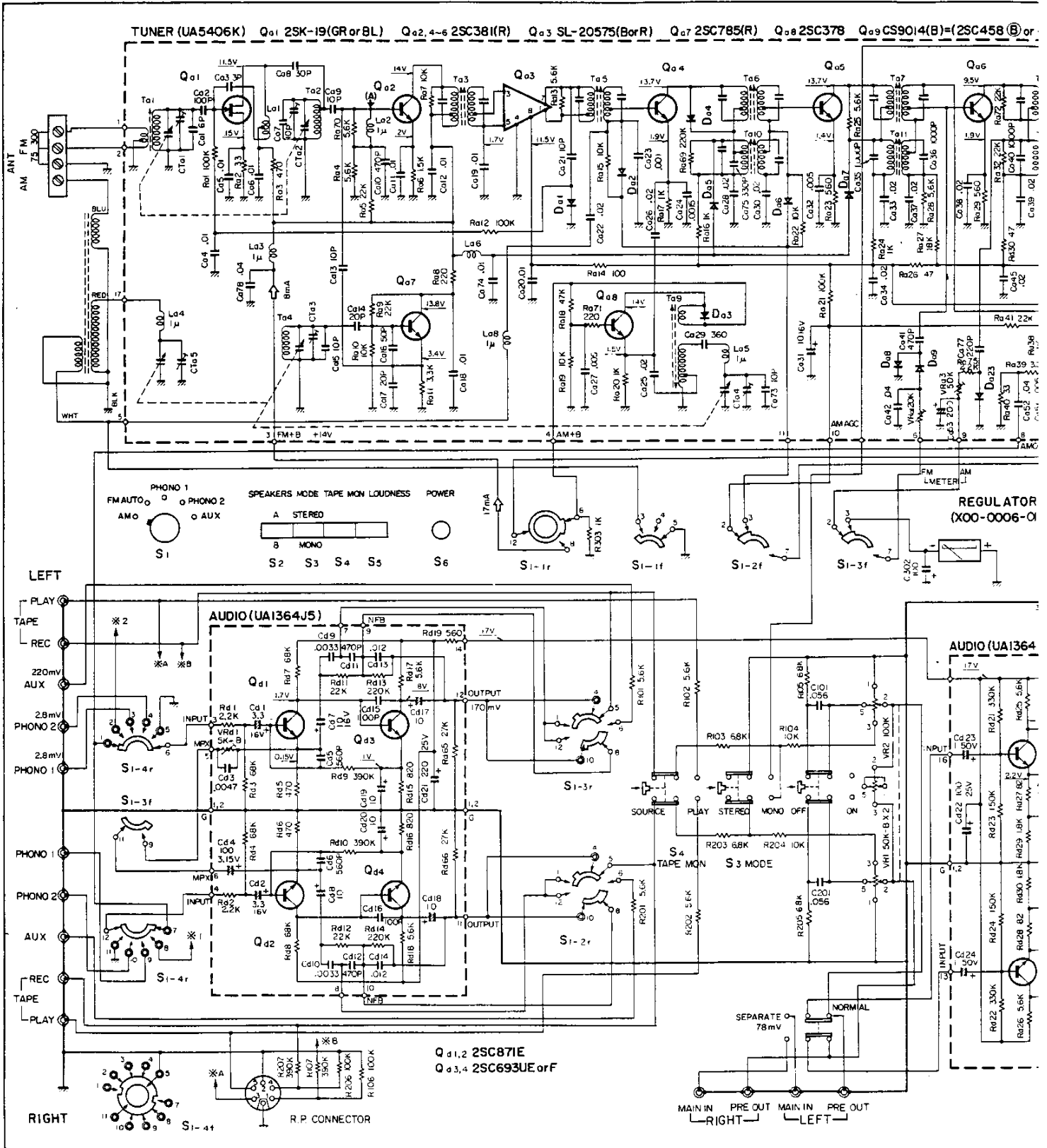
FOR SERVICE MANUALS
CONTACT:
MAURITRON TECHNICAL SERVICES
www.mauritron.co.uk
TEL: 01844 - 351694
FAX: 01844 - 352664



DIAL CORD STRINGING

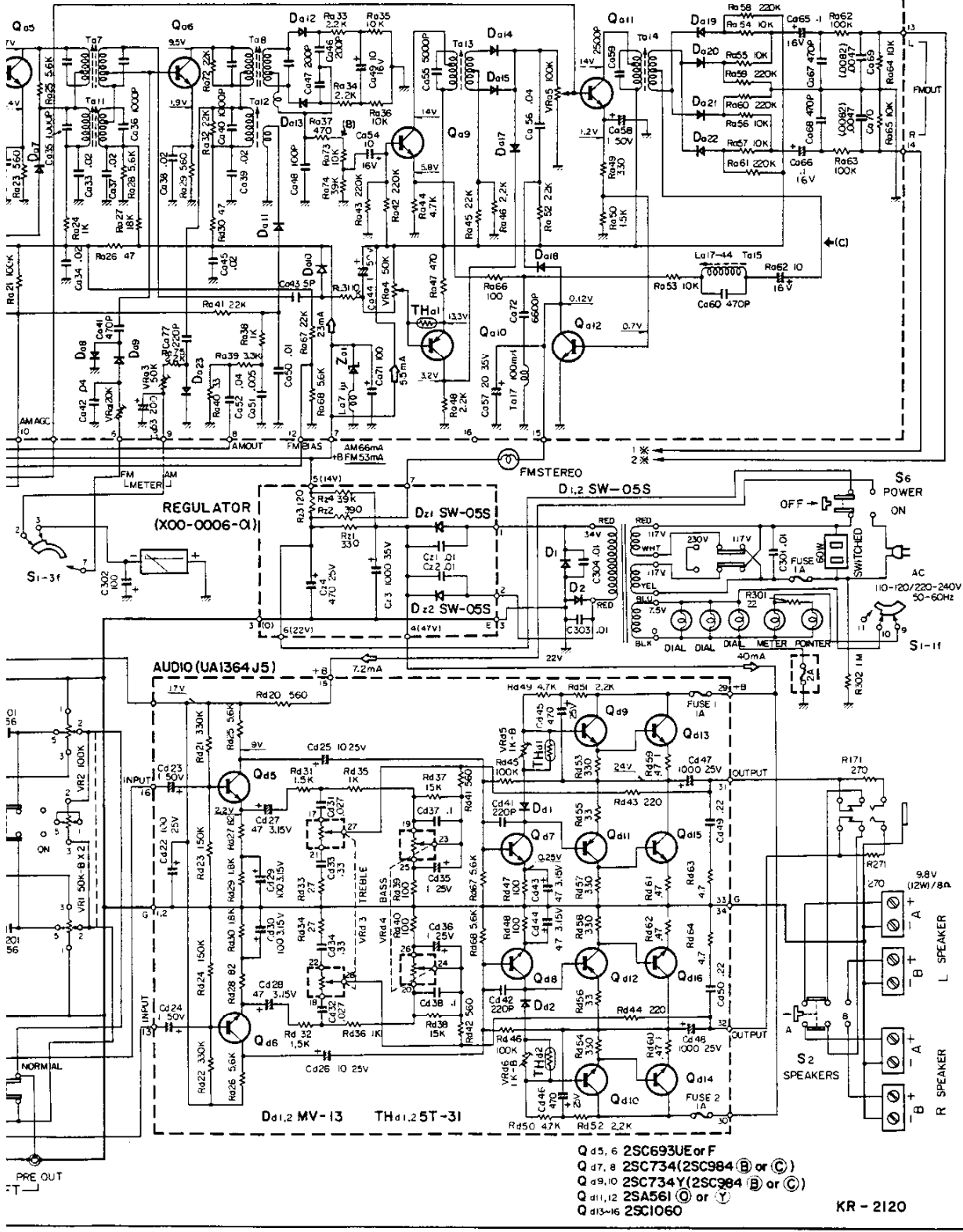


FOR SERVICE MANUALS
CONTACT:
MAURITRON TECHNICAL SERVICES
www.mauritron.co.uk
TEL: 01844 - 351694
FAX: 01844 - 352554



MATIC DIAGRAM

Q₀₉ CS9014(B)=(2SC458(B) or (C)) Q₀₁₀ 2SB56A Q₀₁₁ CS9014(C)=(2SC458(C)) Q₀₁₂ 2SC734(Y) D_{01-5, 17-23} 1N60 Z₀₁ ZBI-14



- Q_{05, 6} 2SC693UE or F
- Q_{07, 8} 2SC734(2SC984(B) or (C))
- Q_{09, 10} 2SC734Y(2SC984(B) or (C))
- Q_{011, 12} 2SA561(O) or (Y)
- Q₀₁₃₋₁₆ 2SC1060

KR - 2120

ALIGNMENT PROCEDURE

TUNER SECTION

FM ALIGNMENT PROCEDURE

- | | |
|--------------------|---|
| 1. Instruments: | FM SG, AC VTVM and Oscilloscope |
| 2. Warm-up: | Allow 30 minutes warm-up period for receiver and equipments |
| 3. Selector SW: | Always place in FM AUTO position |
| 4. Alignment tool: | IF transformers require a plastic screwdriver-type alignment tool |

STEP	Align	Dummy Antenna	FM SSG		Tuning Dial Setting	Output Indicator	Adjust	Remarks
			Coupling	Input Signal				
1	IFT	Direct	High side to (A) Low side to Chassis	10.7 MHz (Unmod.)	Any non-interfering setting	Tuning Indicator	(X05-0006-10) Ta3, Ta5~7	Maximum Deflection
2	DISCRIMINATOR	300 ohm Carbon Resistor	FM Antenna Terminal	98 MHz 400 Hz (Mod.) 75 kHz (Dev.) 0.5~1 mV (Input)	Tune for maximum using tuning indicator	VTVM at LEFT output jack of TAPE REC	(X05-0006-10) Ta8	Maximum Deflection
3	RF AMP CIRCUIT	300 ohm Carbon Resistor	FM Antenna Terminal	90 MHz 400 Hz (Mod.) 75 kHz (Dev.) 1.5~2μV (Input)	90 MHz	VTVM & X-tal earphone at LEFT output jack of TAPE REC	(X05-0006-10) Ta1, Ta2, Ta4	Maximum Deflection
4	RF AMP CIRCUIT	300 ohm Carbon Resistor	FM Antenna Terminal	106 MHz 400 Hz (Mod.) 75 kHz (Dev.) 1.5~2μV (Input)	106 MHz	VTVM & X-tal earphone at LEFT output jack of TAPE REC	(X05-0006-10) CTa1~3	Maximum Deflection
5	Repeat steps 3 & 4 until no further improvement is possible.							
6	METER SETTING	300 ohm Carbon Resistor	FM Antenna Terminal	98 MHz 400 Hz (Mod.) 75 kHz (Dev.) 1mV (Input)	Tune for maximum deflection VTVM & X-tal earphone at LEFT output jack of TAPE REC	Tuning Indicator	(X05-0006-10) VRa1	"4" Indicator

FOR SERVICE MANUALS
CONTACT:
MAURITRON TECHNICAL SERVICES
www.mauritron.co.uk
TEL: 01844 - 351694
FAX: 01844 - 352554

ALIGNMENT PROCEDURE

FM MPX ALIGNMENT PROCEDURE

(a) SCA FILTER

1. Instruments: Audio SG, AC VTVM & Oscilloscope
2. Selector SW: Always place in FM AUTO position
3. Warm-up: Allow 30 minutes warm-up period for Receiver and equipments

STEP	Audio Signal Generator Coupling	Audio Signal Generator Frequency	AC VTVM & Oscilloscope Coupling	Adjust	Remarks
1	High side to (B) Low side to chassis	67 kHz (0.5V)	High side to (C) Low side to chassis	(X05-0006-10) Ta15	Minimum Deflection

(b) MPX

1. Instruments: FM SG, Audio SG, AC VTVM & Oscilloscope
2. Selector SW: Always place in FM AUTO position
3. Warm-up: Allow 30 minutes warm-up period for Receiver and equipments.

(Field Strength: 1000 μ V at Antenna Terminal)

STEP	FM SSG			19 kHz Pilot Carrier Switch	VTVM & Oscilloscope Connection	Adjust	Remarks
	Coupling	Modulation Frequency	Input Selector				
1	FM Antenna Terminal	OFF	OFF	ON	High side to (C) Low side to chassis	(X05-0006-10) Ta13	Maximum Deflection
2	FM Antenna Terminal	OFF or 400 Hz	A + B or REVERSE	ON	OFF	(X05-0006-10) VRa4 VRa5	Beacon Lamp "ON"
3	To distant of Antenna Terminal	400 Hz	A + B or REVERSE	ON	LEFT or RIGHT output jack of TAPE REC	(X05-0006-10) Ta14	To obtain a wave form with maximum amplitude and minimum distortion at 400 Hz on oscilloscope
4	FM Antenna Terminal	2,000 Hz	A or LEFT	ON	RIGHT output of TAPE REC	(UA1364J5) VRd1	Minimum Deflection
5	FM Antenna Terminal	2,000 Hz	B or RIGHT	ON	LEFT output of TAPE REC	(UA6001J) VRd1	Minimum Deflection
6	Repeat steps 4 & 5 until no further improvement is possible.						

ALIGNMENT PROCEDURE

(c) BEACON LAMP

1. Instruments: FM SG, FM Stereo Signal Generator
Audio SG, AC VTVM (or Circuit Tester) & Oscilloscope
2. Selector SW: Always place in FM AUTO position
3. Warm-up: Allow 30 minutes warm-up period for Receiver and equipments

STEP	FM SSG			19 kHz Pilot Carrier Switch	AC VTVM Oscilloscope Connection	DC VTVM or Circuit Tester Connection	Adjust	Remarks
	Coupling	Modulation Frequency	Input Selector					
1	FM Antenna Terminal	DEV. 40 kHz 1 mV	Normal	ON	LEFT or RIGHT output Jack of TAPE REC	OFF	(X05-0006-10) VRa5	Beacon Lamp "ON"
2	FM Antenna Terminal	DEV. 30 kHz 1 mV	Normal	ON	LEFT or RIGHT output Jack of TAPE REC	OFF	(X05-0006-10) VRa5	Beacon Lamp Threshold of light off
3	FM Antenna Terminal	DEV. 67.5 kHz 10 μ V	Normal	ON	LEFT or RIGHT output Jack of TAPE REC	OFF	(X05-0006-10) VRa4	Certify the light of Beacon Lamp

FOR SERVICE MANUALS
CONTACT:
MAURITRON TECHNICAL SERVICES
www.mauritron.co.uk
TEL: 01844 - 351694
FAX: 01844 - 352554

ALIGNMENT PROCEDURE

AM ALIGNMENT PROCEDURE

1. Alignment tool: IF transformers require a plastic screwdriver-type alignment tool
2. Instruments: AM SG, AC VTVM & Oscilloscope
3. Selector SW: Always place in AM position
4. Warm-up: Allow 30 minutes warm-up period for Receiver and equipment

STEP	Dummy Antenna	AM Signal Generator Coupling	Signal Generator Frequency	Tuning Dial Setting	Indicating Meter	Adjust	Remarks
1	Direct	High side to AM antenna terminal, Low side to chassis	455 kHz (400 Hz 30% AM)	Any non-interferring	Tuning Indicator	(X05-0006-10) Ta10, 11, 12	Maximum Deflection
2	Direct	Connect to short loop of wire, Radiate Signal into ferrite loop stick antenna of receiver	600 kHz (400 Hz 30% AM)	600 kHz	Tuning Indicator	(X05-0006-10) Ta9 (BAR ANT.)	Maximum Deflection
3	Direct	Connect to short loop of wire, Radiate Signal into ferrite loop stick antenna of receiver	1,400 kHz (400 Hz 30% AM)	1,400 kHz	Tuning Indicator	(X05-0006-10) CTa4, 5	Maximum Deflection
4	Repeat steps 2 & 3 until no further improvement is possible.						

FOR SERVICE MANUALS
CONTACT:

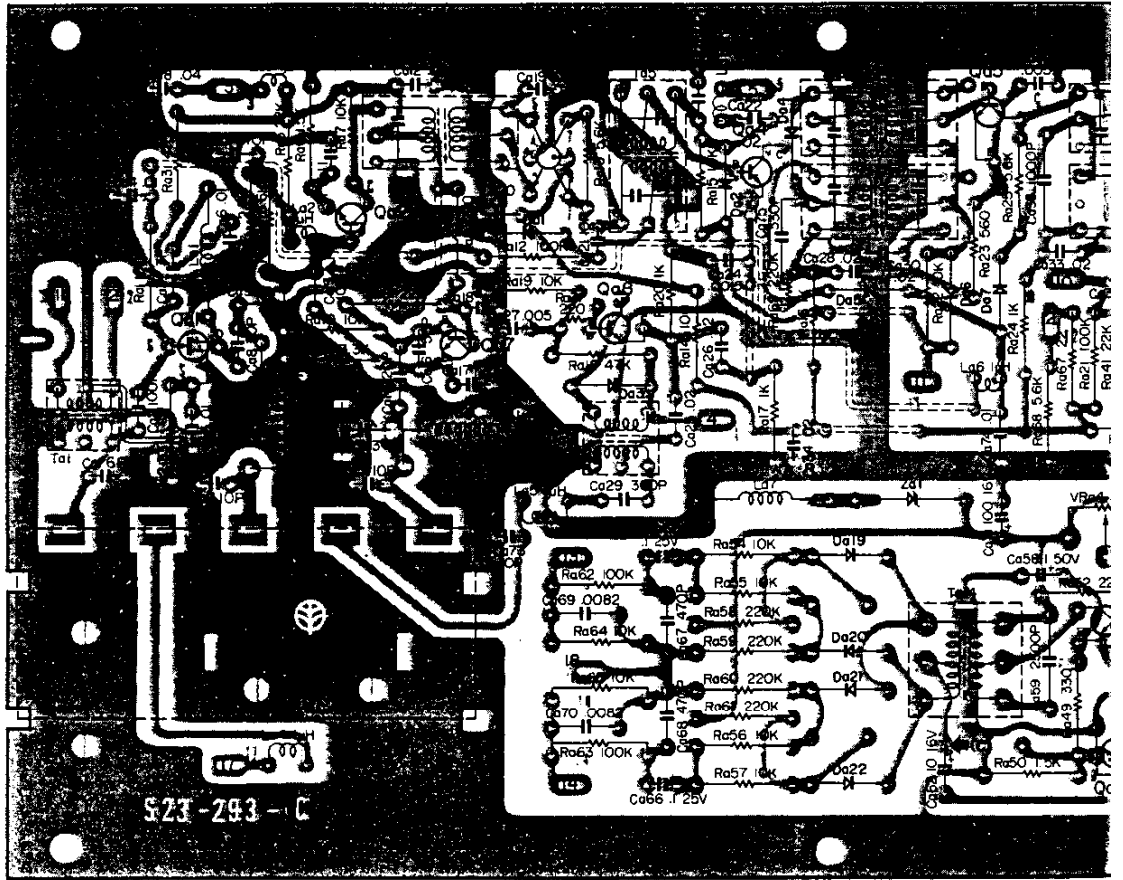
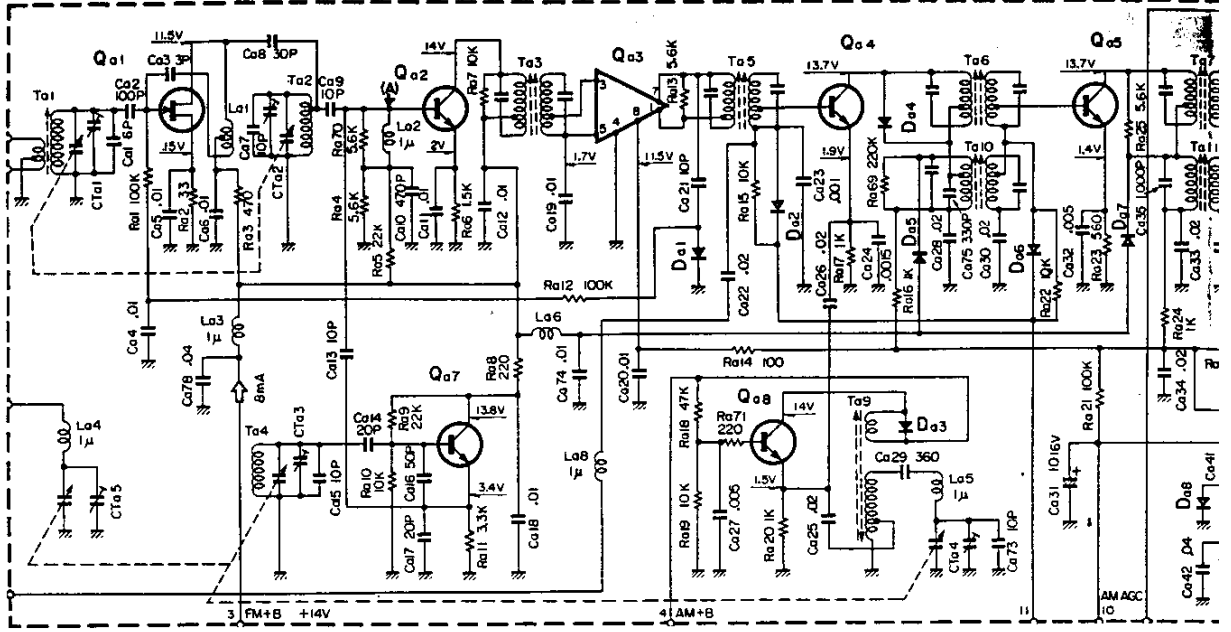
MAURITRON TECHNICAL SERVICES

www.mauritron.co.uk

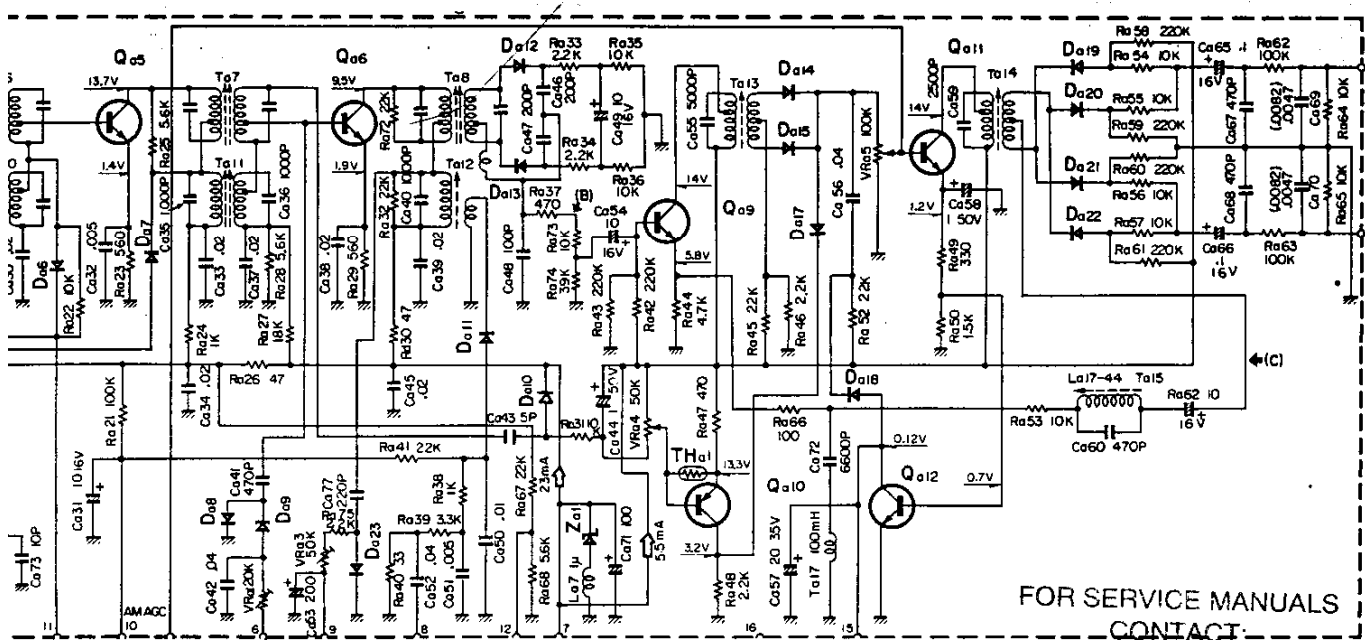
TEL: 01844 - 351694

FAX: 01844 - 352554

SCHEMATIC DIAGRAM



Qa1 2SK-19 (GR or BL), Qa2 2SC381R, Qa3 SL-20575 (R or BL), Qa4 ~ 6 2SC381R, Qa7 2SC785R, Qa8 2SC378, Qa9 CS9014C (2SC458L, C), Qa12 2SC734Y



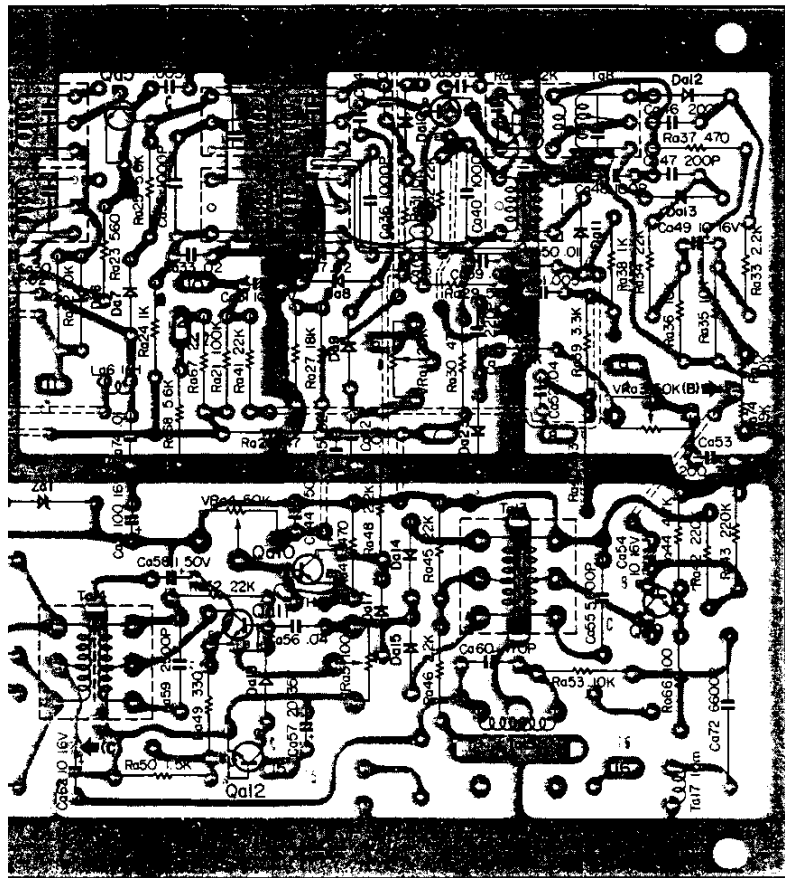
MAURITRON TECHNICAL SERVICES

www.mauritron.co.uk

TEL: 01844 - 351694

FAX: 01844 - 352554

BOTTOM VIEW OF TRANSISTOR



2SK19



SL-20575



CS9014



2SC734

2SC381R

2SC785R

2SC378



2SB56A



A MARK

FROM THE SERIAL NO. 230001, KR-3130 IS CHANGED THE PREVIOUS UNIT FOR THIS.

FROM THE SERIAL NO. 140501, KT-1000 IS CHANGED THE PREVIOUS UNIT FOR THIS.

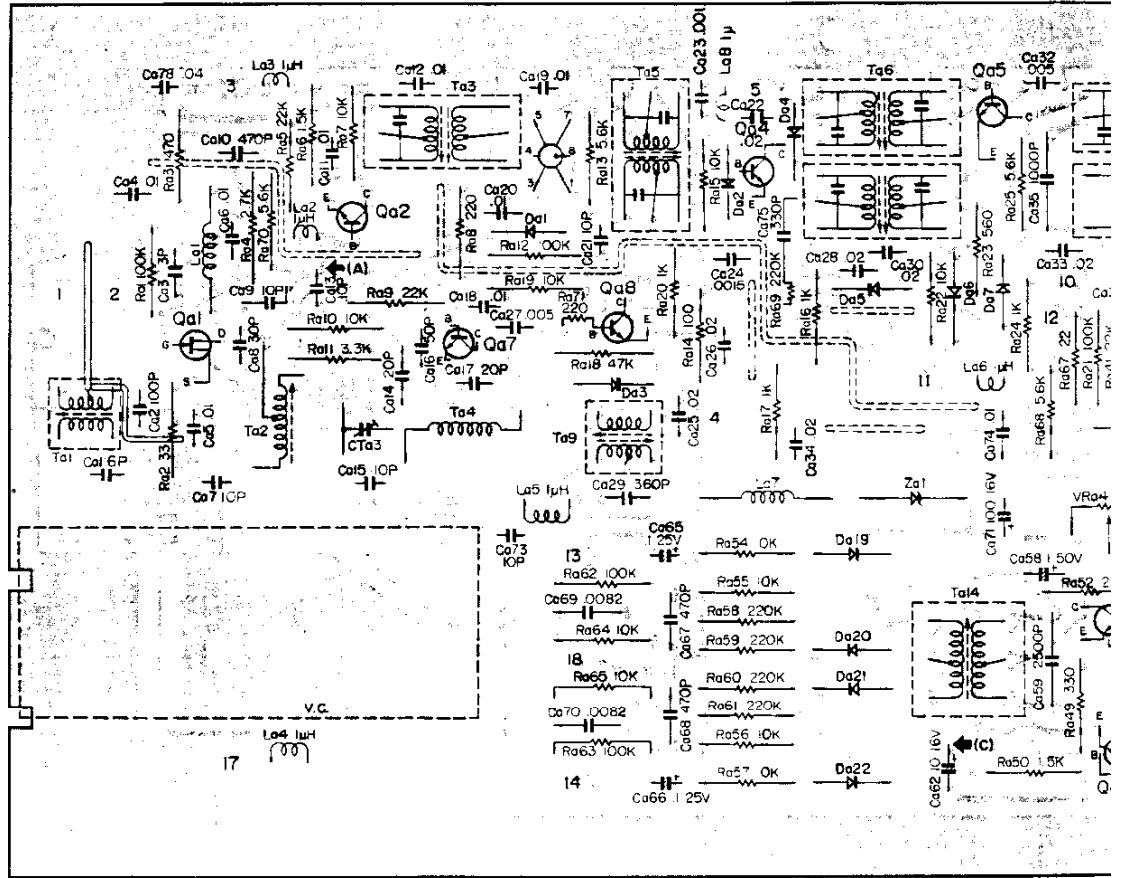
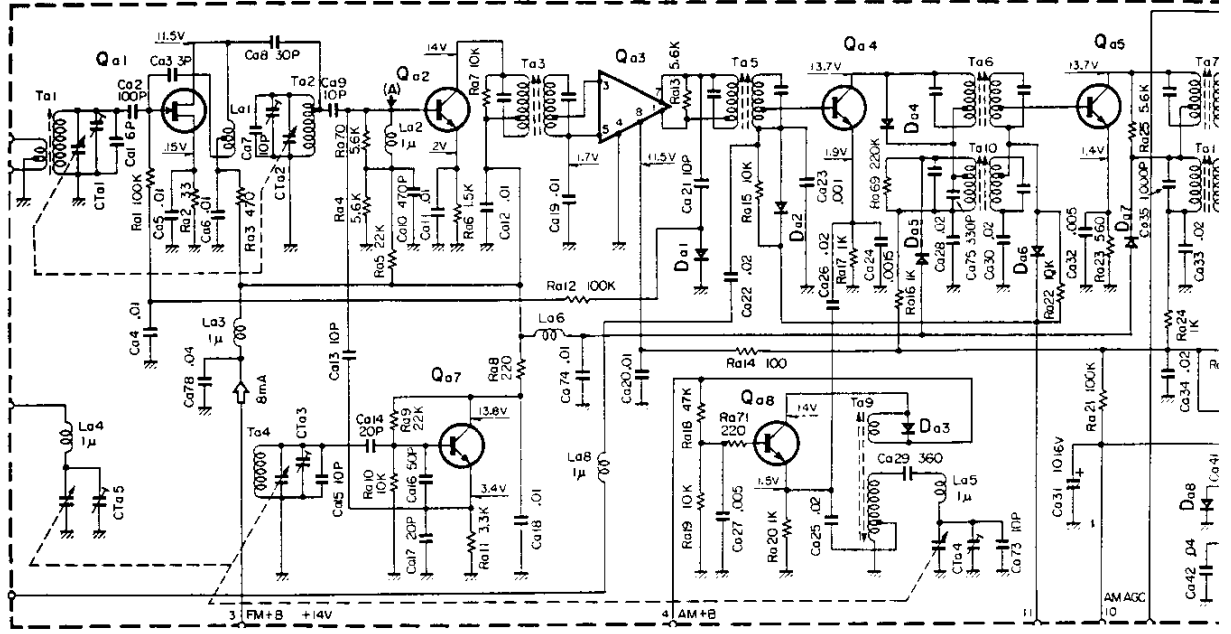
5R, Qa8 2SC378, Qa9 CS9014B (2SC458L, B or C), Qa10 2SB56A,



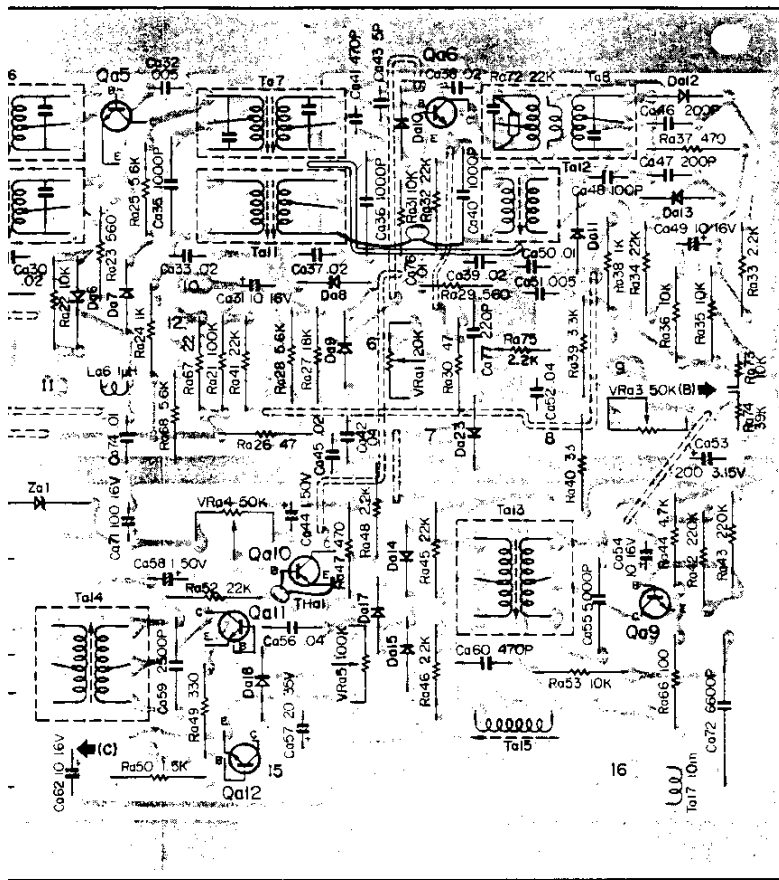
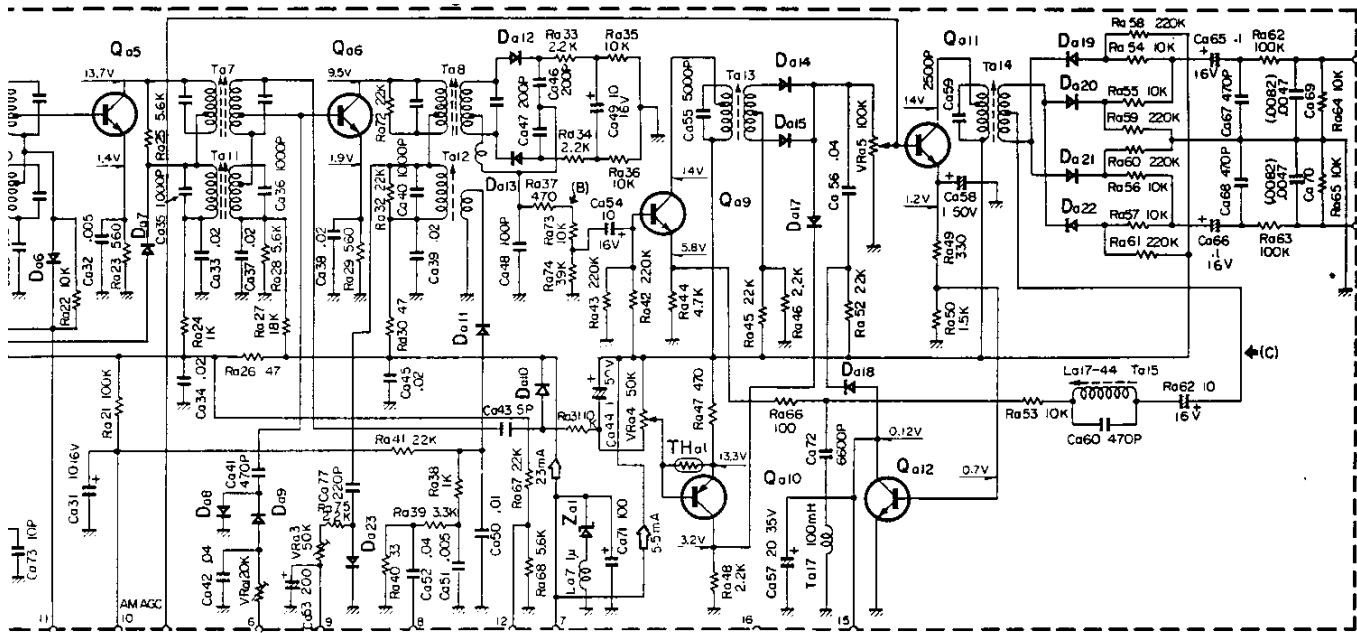
TUNER (X05-0006-10) SECTION

(KT-1000) (KR-2120) (KR3130)

SCHEMATIC DIAGRAM



Qa1 2SK-19 (GR or BL), Qa2 2SC381R, Qa3 SL-20575 (R or BL), Qa4 ~ 6 2SC381R, Qa7 2SC785R, Qa8 2SC378, Qa9 CS1
Qa11 CS9014C (2SC458L, C), Qa12 2SC734Y



BOTTOM VIEW OF TRANSISTOR

- 2SK19
- 2SC734
- 2SC381R
- 2SC785R
- 2SC378
- SL-20575
- 2SB56A
- CS9014
- CASE COLLECTOR
- △ MARK

FROM THE SERIAL NO. 230001, KR-3130 IS CHANGED THE PREVIOUS UNIT FOR THIS.
 FROM THE SERIAL NO. 140501, KT-1000 IS CHANGED THE PREVIOUS UNIT FOR THIS.

3R, Qa8 2SC378, Qa9 CS9014B (2SC458L, B or C), Qa10 2SB56A,



TUNER (X05-0006-10) SECTION

PARTS DESCRIPTION LIST

Symbol No.	Description	Part No.	Re- marks
CAPACITORS			
Ca1	Ceramic 6pF	CC94SL1H060D	
Ca2	Ceramic 100pF	CK94SL1H101K	
Ca3	Ceramic 3pF	CC94SL1H030C	
Ca4 ~ 6	Ceramic 0.01 μ F	CK94YG1E103Z	-20%
Ca7	Ceramic 10pF	CC94TH1H100K	
Ca8	Ceramic 30pF	CC94SH1H300K	
Ca9	Ceramic 10pF	CC94TH1H100K	
Ca10	Ceramic 470pF	CK94YX1H471K	
Ca11, 12	Ceramic 0.01 μ F	CK94YG1E103Z	-20%
Ca13	Ceramic 10pF	CC94TH1H100K	
Ca14	Ceramic 20pF	CC94RG1H200K	
Ca15	Ceramic 10pF	CC94SG1H100K	
Ca16	Ceramic 50pF	CC94TH1H500K	
Ca17	Ceramic 20pF	CC94TH1H200K	
Ca18 ~ 20	Ceramic 0.01 μ F	CK94YG1E103Z	-20%
Ca21	Ceramic 10pF	CC94SL1H100D	
Ca22	Ceramic 0.02 μ F	CK94YG1E203Z	-20%
Ca23	Ceramic 0.001 μ F	CK94YY1H102M	
Ca24	Ceramic 0.0015 μ F	CK94YY1H152M	
Ca25, 26	Ceramic 0.02 μ F	CK94YG1E203Z	-20%
Ca27	Ceramic 0.005 μ F	CK94YG1E502Z	-20%
Ca28	Ceramic 0.02 μ F	CK94YG1E203Z	-20%
Ca29	Ceramic 360pF	CK94YX1H361K	
Ca30	Ceramic 0.02 μ F	CK94YG1E203M	
Ca31	Electrolytic Tubular 10 μ F	CE04W1C100	
Ca32	Ceramic 0.005 μ F	CK94Y1H502M	-20%
Ca33, 34	Ceramic 0.02 μ F	CK94YG1E203M	-20%
Ca35, 36	Polystyrene Film 1000pF	C008S2B102J	
Ca37 ~ 39	Ceramic 0.02 μ F	CK94YG1E203M	-20%
Ca40	Polystyrene Film 1000pF	C008S2B102J	
Ca41	Ceramic 470pF	CK94YX1H471K	
Ca42	Ceramic 0.04 μ F	CK94YG1E403Z	-20%
Ca43	Ceramic 5pF	CC94SL1H050D	
Ca44	Electrolytic Tubular 1 μ F	CE04W1H010	
Ca45	Ceramic 0.02 μ F	CK94YG1E203M	-20%
Ca46, 47	Ceramic 200pF	CK94SL1H201K	
Ca48	Ceramic 100pF	CK94SL1H101K	
Ca49	Electrolytic Tubular 10 μ F	CE04W1C100	
Ca50	Ceramic 0.01 μ F	CK94Y1H103M	
Ca51	Ceramic 0.005 μ F	CK94Y1H502M	
Ca52	Ceramic 0.04 μ F	CK94YG1E403Z	-20%
Ca53	Electrolytic Tubular 200 μ F	CE04W0F201	
Ca54	Electrolytic Tubular 10 μ F	CE041C100	
Ca55	Polystyrene Film 5000pF	C008S2B502J	
Ca56	Ceramic 0.04 μ F	CK94YG1E403Z	-20%
Symbol No.	Description	Part No.	Re- marks
Ra27	Insulated Carbon Film 18k Ω	PD14BY2E183K	1/4W \pm 10%
Ra28	Insulated Carbon Film 5.6k Ω	PD14BY2E562K	1/4W \pm 10%
Ra29	Insulated Carbon Film 560 Ω	PD14BY2E561K	1/4W \pm 10%
Ra30	Insulated Carbon Film 47 Ω	PD14BY2E470K	1/4W \pm 10%
Ra31	Insulated Carbon Film 10k Ω	PD14BY2E103K	1/4W \pm 10%
Ra32	Insulated Carbon Film 22k Ω	PD14BY2E223K	1/4W \pm 10%
Ra33, 34	Insulated Carbon Film 2.2k Ω	PD14BY2E222K	1/4W \pm 10%
Ra35, 36	Insulated Carbon Film 10k Ω	PD14BY2E103K	1/4W \pm 10%
Ra37	Insulated Carbon Film 470 Ω	PD14BY2E471K	1/4W \pm 10%
Ra38	Insulated Carbon Film 1k Ω	PD14BY2E103K	1/4W \pm 10%
Ra39	Insulated Carbon Film 3.3k Ω	PD14BY2E332K	1/4W \pm 10%
Ra40	Insulated Carbon Film 33 Ω	PD14BY2E330K	1/4W \pm 10%
Ra41	Insulated Carbon Film 22k Ω	PD14BY2E223K	1/4W \pm 10%
Ra42, 43	Insulated Carbon Film 220k Ω	PD14BY2E224K	1/4W \pm 10%
Ra44	Insulated Carbon Film 4.7k Ω	PD14BY2E472K	1/4W \pm 10%
Ra45	Insulated Carbon Film 22k Ω	PD14BY2E223K	1/4W \pm 10%
Ra46	Insulated Carbon Film 2.2k Ω	PD14BY2E222K	1/4W \pm 10%
Ra47	Insulated Carbon Film 470 Ω	PD14BY2E471K	1/4W \pm 10%
Ra48	Insulated Carbon Film 2.2k Ω	PD14BY2E223K	1/4W \pm 10%
Ra49	Insulated Carbon Film 330 Ω	PD14BY2E331K	1/4W \pm 10%
Ra50	Insulated Carbon Film 1.5k Ω	PD14BY2E152K	1/4W \pm 10%
Ra52	Insulated Carbon Film 22k Ω	PD14BY2E223K	1/4W \pm 10%
Ra53	Insulated Carbon Film 10k Ω	PD14BY2E103K	1/4W \pm 10%
Ra54 ~ 57	Insulated Carbon Film 10k Ω	PD14BY2E103K	1/4W \pm 5%
Ra58 ~ 61	Insulated Carbon Film 220k Ω	PD14BY2E224J	1/4W \pm 5%
Ra62, 63	Insulated Carbon Film 100k Ω	PD14BY2E104J	1/4W \pm 5%
Ra64, 65	Insulated Carbon Film 10k Ω	PD14BY2E103J	1/4W \pm 5%
Ra66	Insulated Carbon Film 100 Ω	PD14BY2E101K	1/4W \pm 10%
Ra67	Insulated Carbon Film 5.6k Ω	PD14BY2E562K	1/4W \pm 10%
Ra68	Insulated Carbon Film 220k Ω	PD14BY2E224K	1/4W \pm 10%
Ra69	Insulated Carbon Film 5.6k Ω	PD14BY2E562K	1/4W \pm 10%
Ra70	Insulated Carbon Film 220 Ω	PD14BY2E221K	1/4W \pm 10%
Ra71	Insulated Carbon Film 22k Ω	PD14BY2E223K	1/4W \pm 10%
Ra73	Insulated Carbon Film 10k Ω	PD14BY2E103J	1/4W \pm 5%
Ra74	Insulated Carbon Film 39k Ω	PD14BY2E393J	1/4W \pm 5%
Ra75	Insulated Carbon Film 2.2k Ω	PD14BY2E222J	1/4W \pm 5%
POTENTIOMETERS			
VRa1	20k Ω (B)	R10-75	
VRa3	50k Ω (B)	R10-101	
VRa4	50k Ω (B)	R10-101	
VRa5	100k Ω (B)	R10-91	
COILS/TRANSFORMERS			
La1	Choke Coil	L20-010D	
La2	Choke Coil	L33-0002-04	
La3	Ferri-Inductor	L33-0086-05	1 μ H
La4	Ferri-Inductor	L33-0086-05	1 μ H

FOR SERVICE MANUALS
CONTACT:
MAURITRON TECHNICAL SERVICES

www.mauritron.co.uk
TEL: 01844 - 351694
FAX: 01844 - 352554

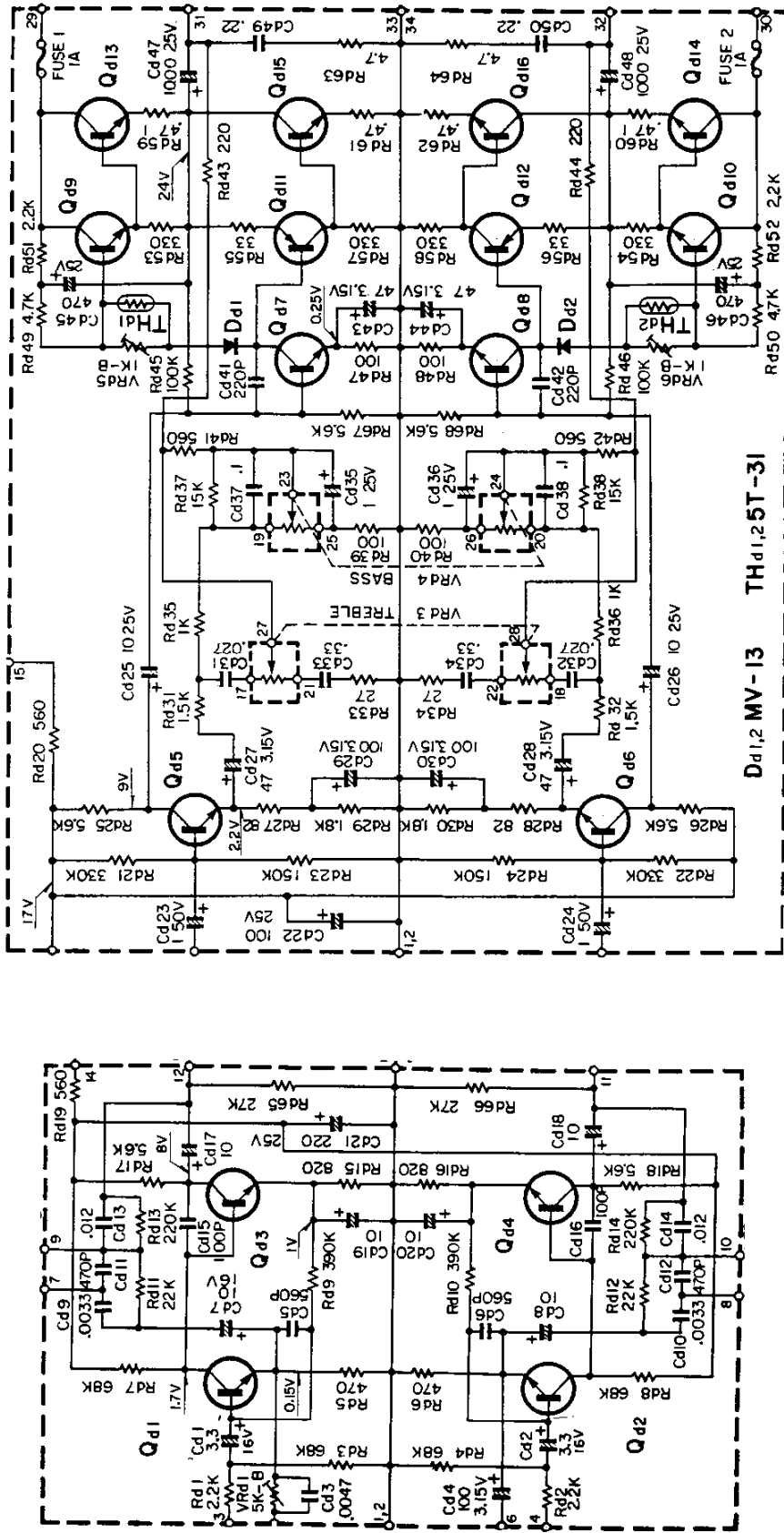
POTENTIOMETERS			COILS/TRANSFORMERS			IC/TRANSISTORS			DIODES/THERMISTOR			MISCELLANEOUS		
VRa1	20k Ω	(B)	R10-75	La1	Choke Coil	L20-010D	Qa1	2SK-19 (GR or BL) FET	Da1 ~ 15,	IN60 or 1N34A (YELLOW)	-	P C Board	S23-293	
VRa3	50k Ω	(B)	R10-101	La2	Choke Coil	L33-0002-04	Qa2	2SC381R	17 ~ 23	ZB1-14	-	Variable Capacitor	D01-171	
VRa4	50k Ω	(B)	R10-101	La3 ~ 6	Ferrit-Inductor	L33-0086-05	Qa3	SL-20575 (R or BL) IC	Za1	SDT-1000L or 5T-41L	-	Pin x 18	E23-0008-04	
VRa5	100k Ω	(B)	R10-91	La7	Choke Coil	L20-010	Qa4 ~ 6	2SC381R	THa1	-	-	Shield Board A	F10-0002-14	
				La8	Ferrit-Inductor	L33-0086-05	Qa7	2SC785R				Shield Board B	F10-0004-04	
				Ta1	FM ANT Coil	L24-UA1129JA	Qa8	2SC378				Shield Board C	F10-0004-04	
				Ta2	FM RF Coil	L33-0027-04	Qa9	CS9014B (2SC458L, B or C)						
				Ta3	FM IFT	L02-105	Qa10	2SB56A						
				Ta4	FM OSC Coil	L24-UA5406KS	Qa11	CS9014C (2SC458L, C)						
				Ta5	FM IFT	L02-106	Qa12	2SC734Y						
				Ta6	FM IFT	L02-107								
				Ta7	FM IFT	L02-108								
				Ta8	FM IFT	L02-91								
				Ta9	AM OSC	L01-95								
				Ta10	AM IFT	L01-93								
				Ta11	AM IFT	L01-94								
				Ta12	AM IFT	L01-65								
				Ta13	19 kHz Coil	L17-49								
				Ta14	38 kHz Coil	L17-50								
				Ta15	72 kHz Coil	L17-44								
				Ta17	Ferrit-Inductor	L33-0115-05								

RESISTORS			POTENTIOMETERS			COILS/TRANSFORMERS			IC/TRANSISTORS			DIODES/THERMISTOR			MISCELLANEOUS		
Ra1	Insulated Carbon Film	100k Ω	$\pm 10\%$	1/4W	PD14BY2E104K												
Ra2	Insulated Carbon Film	33 Ω	$\pm 10\%$	1/4W	PD14BY2E330K												
Ra3	Insulated Carbon Film	470 Ω	$\pm 10\%$	1/4W	PD14BY2E471K												
Ra4	Insulated Carbon Film	5.6k Ω	$\pm 10\%$	1/4W	PD14BY2E562K												
Ra5	Insulated Carbon Film	22k Ω	$\pm 10\%$	1/4W	PD14BY2E222K												
Ra6	Insulated Carbon Film	1.5k Ω	$\pm 10\%$	1/4W	PD14BY2E152K												
Ra7	Insulated Carbon Film	10k Ω	$\pm 10\%$	1/4W	PD14BY2E103K												
Ra8	Insulated Carbon Film	220 Ω	$\pm 10\%$	1/4W	PD14BY2E221K												
Ra9	Insulated Carbon Film	22k Ω	$\pm 10\%$	1/4W	PD14BY2E223K												
Ra10	Insulated Carbon Film	10k Ω	$\pm 10\%$	1/4W	PD14BY2E103K												
Ra11	Insulated Carbon Film	3.3k Ω	$\pm 10\%$	1/4W	PD14BY2E332K												
Ra12	Insulated Carbon Film	100k Ω	$\pm 10\%$	1/4W	PD14BY2E104K												
Ra13	Insulated Carbon Film	5.6k Ω	$\pm 10\%$	1/4W	PD14BY2E562K												
Ra14	Insulated Carbon Film	100 Ω	$\pm 10\%$	1/4W	PD14BY2E101K												
Ra15	Insulated Carbon Film	10k Ω	$\pm 10\%$	1/4W	PD14BY2E103K												
Ra16, 17	Insulated Carbon Film	1k Ω	$\pm 10\%$	1/4W	PD14BY2E102K												
Ra18	Insulated Carbon Film	47k Ω	$\pm 10\%$	1/4W	PD14BY2E473K												
Ra19	Insulated Carbon Film	10k Ω	$\pm 10\%$	1/4W	PD14BY2E103K												
Ra20	Insulated Carbon Film	1k Ω	$\pm 10\%$	1/4W	PD14BY2E102K												
Ra21	Insulated Carbon Film	100k Ω	$\pm 10\%$	1/4W	PD14BY2E104K												
Ra22	Insulated Carbon Film	10k Ω	$\pm 10\%$	1/4W	PD14BY2E103K												
Ra23	Insulated Carbon Film	560 Ω	$\pm 10\%$	1/4W	PD14BY2E561K												
Ra24	Insulated Carbon Film	1k Ω	$\pm 10\%$	1/4W	PD14BY2E102K												
Ra25	Insulated Carbon Film	5.6k Ω	$\pm 10\%$	1/4W	PD14BY2E562K												
Ra26	Insulated Carbon Film	47 Ω	$\pm 10\%$	1/4W	PD14BY2E470K												

KENWOOD PRE, TONE & MAIN (X09-0003-05) SECTION

(KR-2120)

SCHEMATIC DIAGRAM



BOTTOM VIEW OF TRANSISTOR

25C693



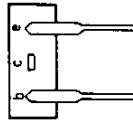
25A561



25C734Y



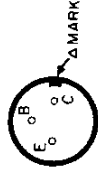
25C1060



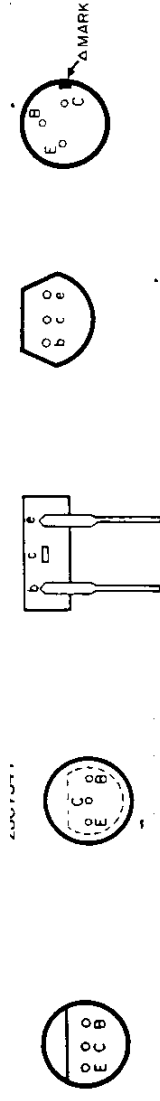
25C871



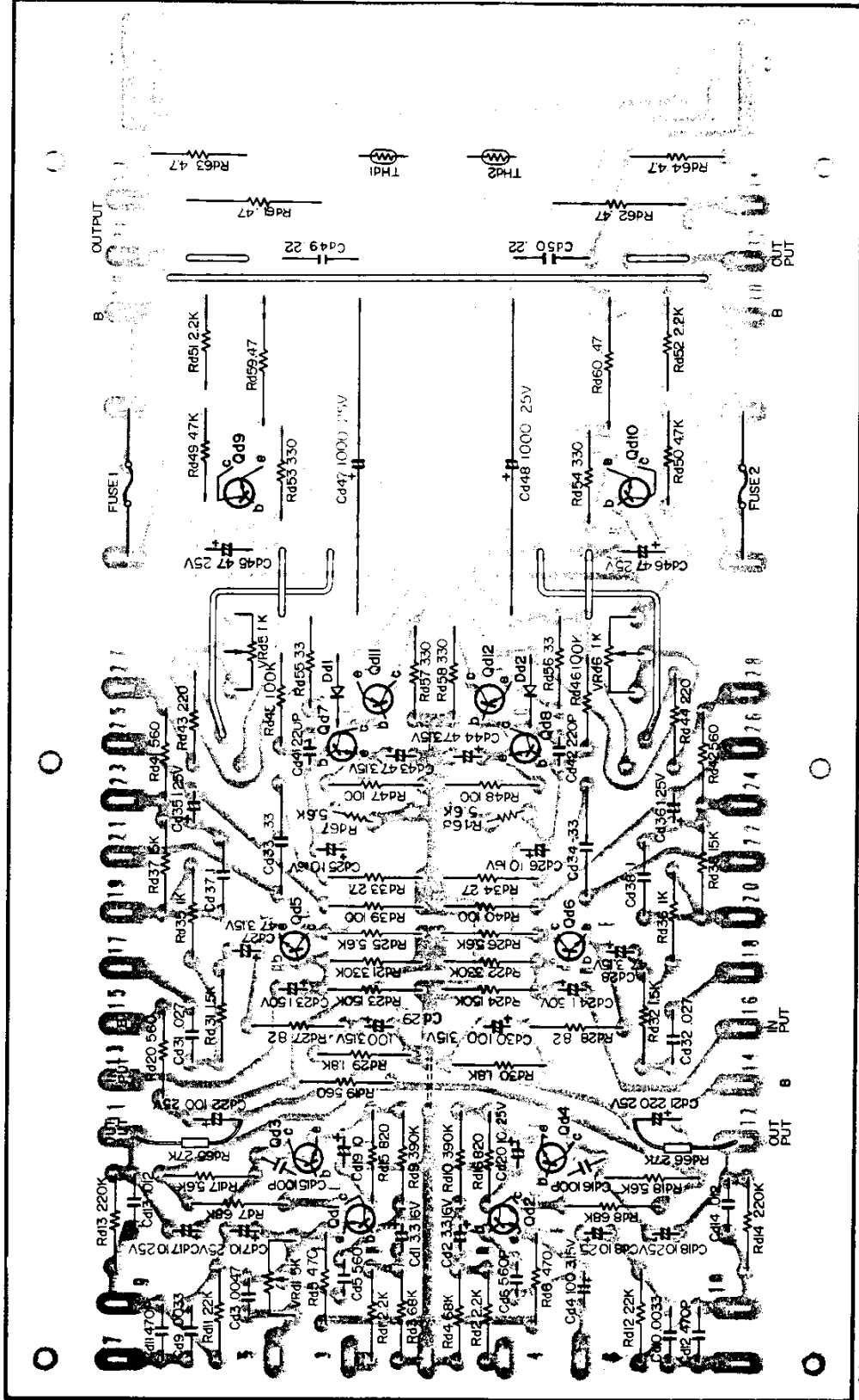
25C984



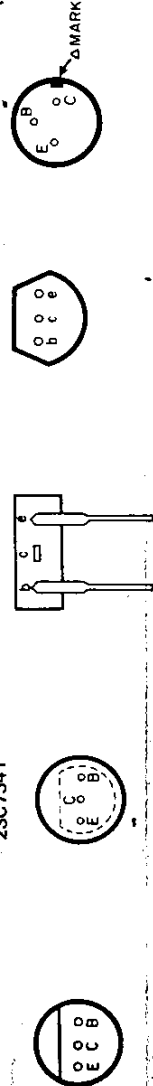
Dd1,2 MV-13 THd1.25T-31



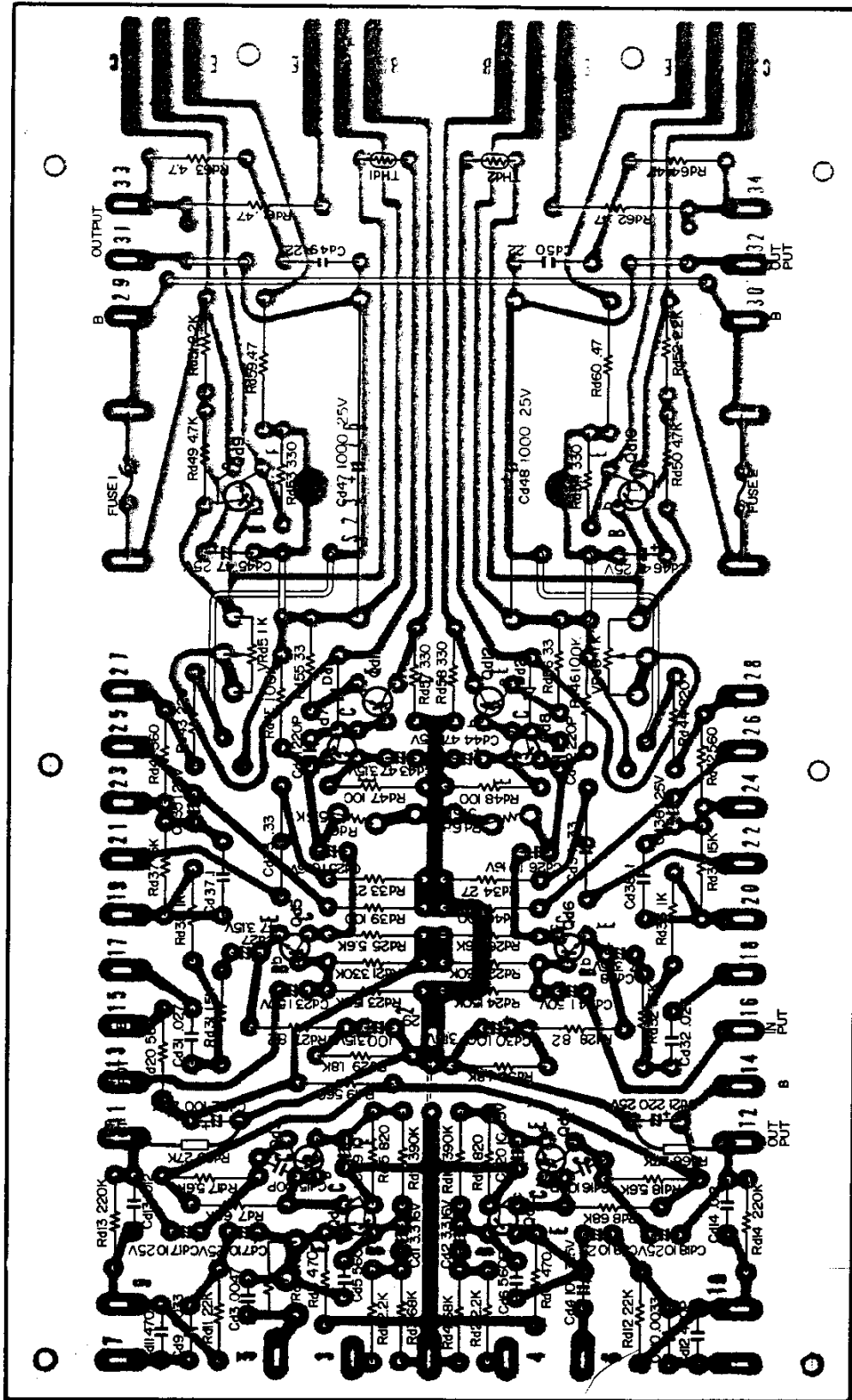
SEALED CIRCUIT ASSEMBLIES-PHANTOM VIEWS



Qd1,2 2SC671E, Qd3~6 2SC693U(E)or(F), Qd7~10 2SC734Y or 2SC984(B) or(C),
 Qd11,12 2SA561(D) or(Y), Qd13 ~16 2SC1060, Qd12 MV-13, THD1,2 5T-31.



SEALED CIRCUIT ASSEMBLIES-PHANTOM VIEWS



Qd1,2 2SC871E. Qd3~6 2SC693U(E)or(F). Qd7~10 2SC734Y or 2SC984(B) or (C).
Qd11,12 2SA561(D) or (Y). Qd13~16 2SC1060. Dd1,2 MV-13. THd1,2 5T-31.



KENWOOD PRE, TONE & MAIN (X09-0003-05) SECTION

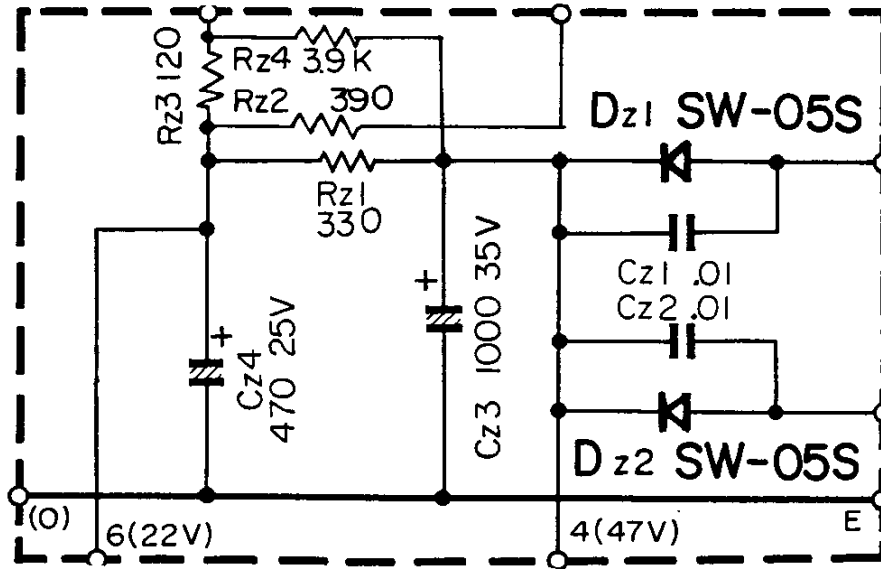
PARTS DESCRIPTION LIST

Symbol No.	Description	Part No.	Remarks
CAPACITOR			
Cd1, 2	Electrolytic Tubular	CE04W1C3R3	
Cd3	Mylar	CO93M1H472K	
Cd4	Electrolytic Tubular	CE04W0F101	
Cd5, 6	Ceramic	CK94YY561M	
Cd7, 8	Electrolytic Tubular	CE04W1E100	
Cd9, 10	Mylar	CO93M1H332K	
Cd11, 12	Ceramic	CK94YY1H471K	
Cd13, 14	Mylar	CO93M1H123K	
Cd15, 16	Ceramic	CC94SL1H101K	
Cd17 ~20	Electrolytic Tubular	CE04W1E100	
Cd21	Electrolytic Tubular	CE04W1E221	
Cd22	Electrolytic Tubular	CE04W1E101	
Cd23, 24	Electrolytic Tubular	CE04W1H010	
Cd25, 56	Electrolytic Tubular	CE04W1E100	
Cd27, 28	Electrolytic Tubular	CE04W0F470	
Cd29, 30	Electrolytic Tubular	CE04W0F101	
Cd31, 32	Mylar	CO93M1H273K	
Cd33, 34	Mylar	CO93M1H334K	
Cd35, 36	Electrolytic Tubular	CE04W1E010M	
Cd37, 38	Mylar	CO93M1H104K	
Cd41, 42	Ceramic	CC94SL1H221K	
Cd43, 44	Electrolytic Tubular	CE04W0F470	
Cd45, 46	Electrolytic Tubular	CE04W1E470	
Cd47, 48	Electrolytic Tubular	CE04W1E102	
Cd49, 50	Mylar	CO93M1H274M	
RESISTOR			
Rd1, 2	Insulated Carbon Film	PD14BY2E222K	
Rd3, 4	Insulated Carbon Film	PD14BY2E683K	
Rd5, 6	Insulated Carbon Film	PD14BY2E471J	
Rd7, 8	Insulated Carbon Film	PD14BY2E683K	
Rd9, 10	Insulated Carbon Film	PD14BY2E394K	
Rd11, 12	Insulated Carbon Film	PD14BY2E223J	
Rd13, 14	Insulated Carbon Film	PD14BY2E224K	
Rd15, 16	Insulated Carbon Film	PD14BY2E821K	
Rd17, 18	Insulated Carbon Film	PD14BY2E562K	
Rd19, 20	Insulated Carbon Film	PD14BY2E561K	
Rd21, 22	Insulated Carbon Film	PD14BY2E334K	
Rd23, 24	Insulated Carbon Film	PD14BY2E154K	
Rd25, 26	Insulated Carbon Film	PD14BY2E562K	
Rd27, 28	Insulated Carbon Film	PD14BY2E820J	
Rd29, 30	Insulated Carbon Film	PD14BY2E182K	
		PD14BY2E152K	

FOR SERVICE MANUALS
CONTACT:
MAURITRON TECHNICAL SERVICE
www.mauritron.co.uk
TEL: 01844 - 351694
FAX: 01844 - 352554

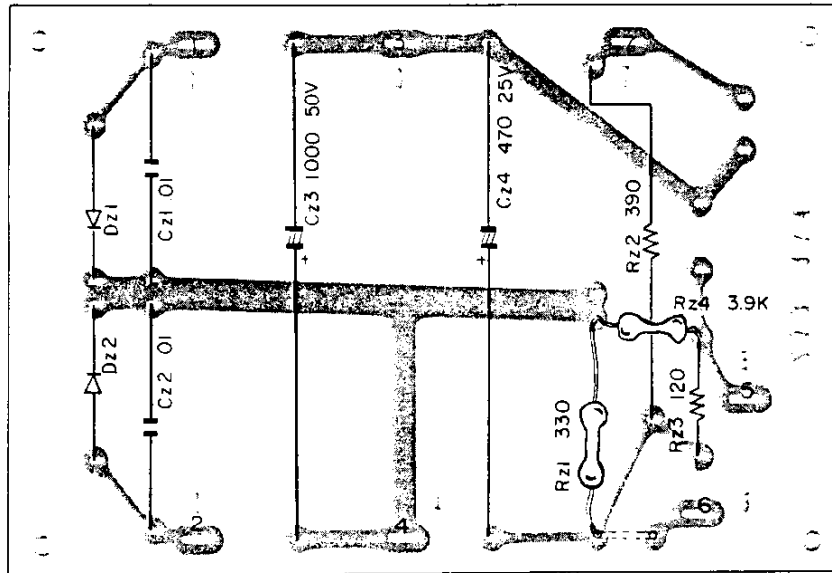
Rd13, 14	Insulated Carbon Film	220k Ω	$\pm 10\%$	1/4W	PD14BY2E224K
Rd15, 16	Insulated Carbon Film	820 Ω	$\pm 10\%$	1/4W	PD14BY2E821K
Rd17, 18	Insulated Carbon Film	5.6k Ω	$\pm 10\%$	1/4W	PD14BY2E562K
Rd19, 20	Insulated Carbon Film	560 Ω	$\pm 10\%$	1/4W	PD14BY2E561K
Rd21, 22	Insulated Carbon Film	330k Ω	$\pm 10\%$	1/4W	PD14BY2E334K
Rd23, 24	Insulated Carbon Film	150k Ω	$\pm 10\%$	1/4W	PD14BY2E154K
Rd25, 26	Insulated Carbon Film	5.6k Ω	$\pm 10\%$	1/4W	PD14BY2E562K
Rd27, 28	Insulated Carbon Film	82 Ω	$\pm 5\%$	1/4W	PD14BY2E820J
Rd29, 30	Insulated Carbon Film	1.8k Ω	$\pm 10\%$	1/4W	PD14BY2E182K
Rd31, 32	Insulated Carbon Film	1.5k Ω	$\pm 10\%$	1/4W	PD14BY2E152K
Rd33, 34	Insulated Carbon Film	27 Ω	$\pm 10\%$	1/4W	PD14BY2E270K
Rd35, 36	Insulated Carbon Film	1k Ω	$\pm 10\%$	1/4W	PD14BY2E102K
Rd37, 38	Insulated Carbon Film	15k Ω	$\pm 10\%$	1/4W	PD14BY2E153K
Rd39, 40	Insulated Carbon Film	100 Ω	$\pm 10\%$	1/4W	PD14BY2E101K
Rd41, 42	Insulated Carbon Film	560 Ω	$\pm 10\%$	1/4W	PD14BY2E561K
Rd43, 44	Insulated Carbon Film	220 Ω	$\pm 10\%$	1/4W	PD14BY2E221K
Rd45, 46	Insulated Carbon Film	100k Ω	$\pm 5\%$	1/4W	PD14BY2E104J
Rd47, 48	Insulated Carbon Film	100 Ω	$\pm 10\%$	1/4W	PD14BY2E101K
Rd49, 50	Insulated Carbon Film	4.7k Ω	$\pm 10\%$	1/4W	PD14BY2E472K
Rd51, 52	Insulated Carbon Film	2.2k Ω	$\pm 10\%$	1/4W	PD14BY2E222K
Rd53, 54	Insulated Carbon Film	330 Ω	$\pm 10\%$	1/4W	PD14BY2E331K
Rd55, 56	Insulated Carbon Film	33 Ω	$\pm 10\%$	1/4W	PD14BY2E330k
Rd57, 58	Insulated Carbon Film	330 Ω	$\pm 10\%$	1/4W	PD14BY2E331K
Rd59 ~ 62	Wire Wound	0.47 Ω	$\pm 10\%$	1W	RW16G3AR47K
Rd63, 64	Fixed Carbon Composition	4.7 Ω	$\pm 10\%$	1/2W	RC05GF2H4R7K
Rd65, 66	Insulated Carbon Film	27k Ω	$\pm 10\%$	1/4W	PD14BY2E273K
Rd67, 68	Insulated Carbon Film	5.6k Ω	$\pm 5\%$	1/4W	PD14BY2E562J
TRANSISTOR/DIODE					
Qd1, 2	2SC871E				
Qd3 ~ 6	2SC693U (E) or (F)				
Qd7, 8	2SC734Y or 2SC984 (B) or (C)				
Qd9, 10	2SC734 or 2SC984 (B) or (C)				
Qd11, 12	2SA551 (O) or (Y)				
Qd13 ~ 16	2SC1060				
Dd1, 2	MV-13				
POTENTIOMETER/THERMISTOR					
VRd1	5k Ω (B) Semi-Fixed	R10-70			
VRd5, 6	1k Ω (B) Semi-Fixed	R10-73			
THd1, 2	5T-31				
MISCELLANEOUS					
-	PC Board	S23-276			
-	Radiator	F01-0072-14			
-	Fuse Holder x 2	J13-0023-05			
-	Thermistor Holder	J21-0545-04			
F	Fuse x 2	S17-01			

SCHEMATIC DIAGRAM



FOR SERVICE MANUALS
CONTACT:
MAURITRON TECHNICAL SERVICES
www.mauritron.co.uk
TEL: 01844 - 351694
FAX: 01844 - 352554

SEALED CIRCUIT ASSEMBLIES-PHANTOM VIEWS



Dz1,2 SW-05S.

**KENWOOD****REGU (X00-0006-01) SECTION****PARTS DESCRIPTION LIST**

Symbol No.	Description				Part No.	Remarks
CAPACITOR						
Cz1, 2	Oil Impregnated	0.01 μ F	\pm 20%		CP02B2J103M	
Cz3	Electrolytic Tubular	1000 μ F	50WV		CE02W1H102	
Cz4	Electrolytic Tubular	470 μ F	25WV		CE02W1E471	
RESISTOR						
Rz1	Resin Coated	330 Ω	\pm 10%	4W	RW14AG3G331K	
Rz2	Resin Coated	390 Ω	\pm 10%	2W	RW14AG3D391K	
Rz3	Fixed Carbon Composition	120 Ω	\pm 10%	1/2W	RC05GF2H121K	
Rz4	Fixed Carbon Composition	3.9k Ω	\pm 10%	1/2W	RC05GF2H392K	
DIODE/P C BOARD						
Dz1, 2 —	SW-05S P C Board				S23-324	

FOR SERVICE MANUALS
CONTACT:
MAURITRON TECHNICAL SERVICES
www.mauritron.co.uk
TEL: 01844 - 351694
FAX: 01844 - 352554